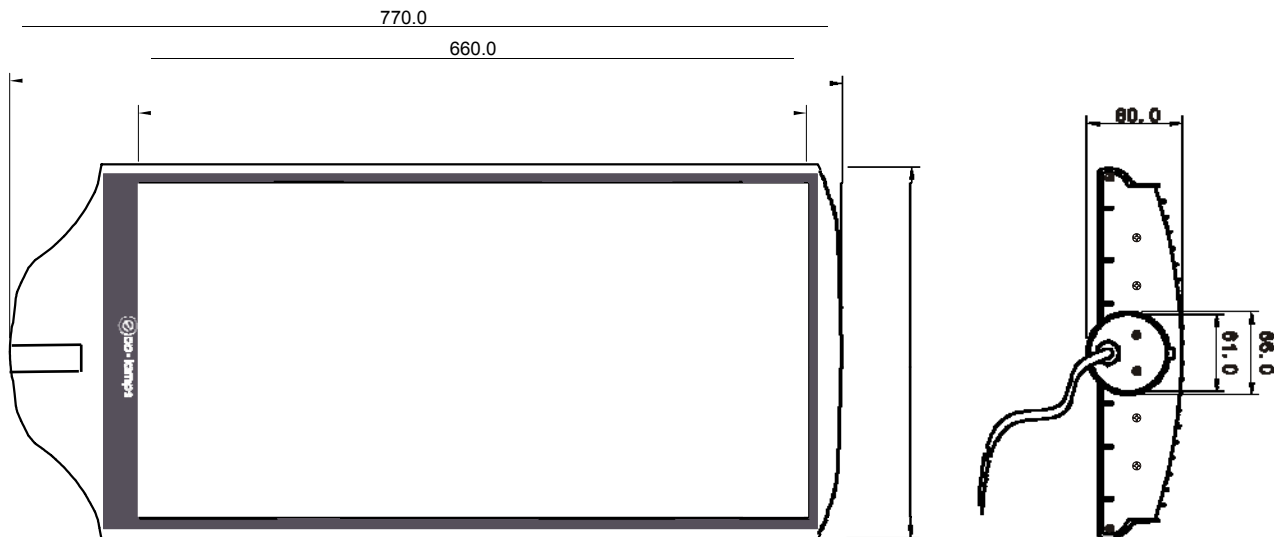


KHS80-140W

Features

- * Aluminum housing
- * CE approved
- * Eco-product
- * Extended longer life
- * High luminance
- * Low power consumption
- * RoHS compliant
- * Well heat sink
- * Wide viewing angle



Input Voltage AC170-250V

Power Power 140×1W

System Consumption	168W	
Power Factor	> 0.95	
Color Temperature	2500K-10000K	
Working Temperature	-35℃~50℃	
Luminous Flux	11202LM	
Protecting Grade	IP65	
Working Life	>50000 (h)	
Average Illumination	Height 6M	> 50Lux
	Height 9M	> 30Lux
Effective illuminated Area	Height 6M	10×24m ²
	Height 9M	12×30m ²
Chief Material	Aluminum Alloy	
Net Weight	7.4kg	
Packaging Size	775×315×90(mm)	
Installing Size	φ61(mm)	

Important:

- * Bulb electricity is compatible with the light socket voltage.
- * The power is off while plug the light bulb into the socket.
- * Specified performance measured in 170-250V range.
- * Do not look permanently to the light sources.

