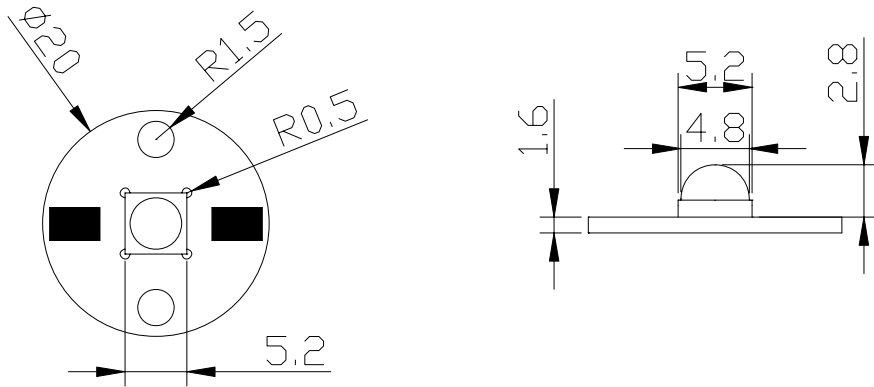




科宏光电(深圳)有限公司

KEHONG OPTO ELECTRONICS (SHENZHEN) CO., LTD.

Φ20mm High Power LED, 0.5W, 1W, 3W (直径为 20mm 圆形大功率发光二极管)



Maximum Ratings 最高额定值 (Ta=25°C)

| Parameter | Symbol | Maximum Ratings | | | | | | Unit |
|----------------------------|--------|-------------------------|------|------|------------|------|------|------|
| | | Green Blue White | | | Red Yellow | | | |
| | | 0.5W | 1W | 3W | 0.5W | 1W | 3W | |
| Power Dissipation | PD | 500 | 1000 | 3000 | 500 | 1000 | 3000 | mW |
| Forward Current (DC) | IF | 150 | 350 | 750 | 150 | 350 | 750 | mA |
| Peak Forward Current | IFP | 500 | 1000 | 1500 | 500 | 1000 | 1500 | mA |
| Reverse Voltage | VR | 10 | | | 5 | | | V |
| Electro Static Discharge | ESD | 2000 | | | 2000 | | | V |
| Operating Temperature | Topr | -40~135 | | | | | | °C |
| Storage Temperature | Tstg | -10~100 | | | | | | °C |
| Lead Soldering Temperature | Tsol | Max 260°C for 5 sec Max | | | | | | |

| 产品编号 | 外观颜色 | 发光颜色 | 功率 (W) | 顺向电压 | | 波长/色温 | | 光通量 | | 反向电流 | 视角 |
|-----------------|-------------|----------------|---|---------------------|-----|---------------|------|--------------------|-----|-------------------------------|------------------------------|
| Part Number | Lens Color | Emitting Color | Power 0.5W (150mA) 1W (350mA) 3W (750mA) | Forward Voltage (V) | | DW/CCT (nm/K) | | Luminous Flux (Lm) | | Reverse Current (μA) VR=5V | Viewing Angle (deg) θ 1/2 |
| | | | | Typ | Max | Typ | Max | Typ | Max | | |
| KH-HP021OURC-05 | Water Clear | Red | 0.5 | 2.2 | 2.8 | 620 | 635 | 8 | 15 | ≤50 | 30/60/90/120 |
| KH-HP021OUYC-05 | Water Clear | Yellow | 0.5 | 2.2 | 2.8 | 585 | 595 | 7 | 13 | ≤50 | 30/60/90/120 |
| KH-HP021OPGC-05 | Water Clear | Green | 0.5 | 3.6 | 4.5 | 520 | 530 | 10 | 20 | ≤50 | 30/60/90/120 |
| KH-HP021OUBC-05 | Water Clear | Blue | 0.5 | 3.6 | 4.5 | 465 | 475 | 6 | 10 | ≤50 | 30/60/90/120 |
| KH-HP021OWUC-05 | Water Clear | White | 0.5 | 3.6 | 4.5 | 3800 | 9000 | 18 | 28 | ≤50 | 30/60/90/120 |
| KH-HP021OURC-10 | Water Clear | Red | 1 | 2.2 | 2.8 | 620 | 635 | 20 | 30 | ≤50 | 30/60/90/120 |
| KH-HP021OURC-10 | Water Clear | Yellow | 1 | 2.2 | 2.8 | 585 | 595 | 15 | 25 | ≤50 | 30/60/90/120 |
| KH-HP021OURC-10 | Water Clear | Green | 1 | 3.6 | 4.5 | 520 | 530 | 25 | 35 | ≤50 | 30/60/90/120 |
| KH-HP021OURC-10 | Water Clear | Blue | 1 | 3.6 | 4.5 | 465 | 475 | 15 | 25 | ≤50 | 30/60/90/120 |
| KH-HP021OURC-10 | Water Clear | White | 1 | 3.6 | 4.5 | 3800 | 9000 | 55 | 90 | ≤50 | 30/60/90/120 |
| KH-HP021OURC-30 | Water Clear | Red | 3 | 2.2 | 2.8 | 620 | 635 | 45 | 80 | ≤50 | 30/60/90/120 |
| KH-HP021OURC-30 | Water Clear | Yellow | 3 | 2.2 | 2.8 | 585 | 595 | 35 | 70 | ≤50 | 30/60/90/120 |
| KH-HP021OURC-30 | Water Clear | Green | 3 | 3.6 | 4.5 | 520 | 530 | 40 | 75 | ≤50 | 30/60/90/120 |
| KH-HP021OURC-30 | Water Clear | Blue | 3 | 3.6 | 4.5 | 465 | 475 | 30 | 55 | ≤50 | 30/60/90/120 |
| KH-HP021OURC-30 | Water Clear | White | 3 | 3.6 | 4.5 | 3800 | 9000 | 80 | 115 | ≤50 | 30/60/90/120 |